



# **BRUTE™**

by



## *Illustrated Parts List*

**Models / Modelos**

**020345**

**020346**



Questions? Help is just a moment away!

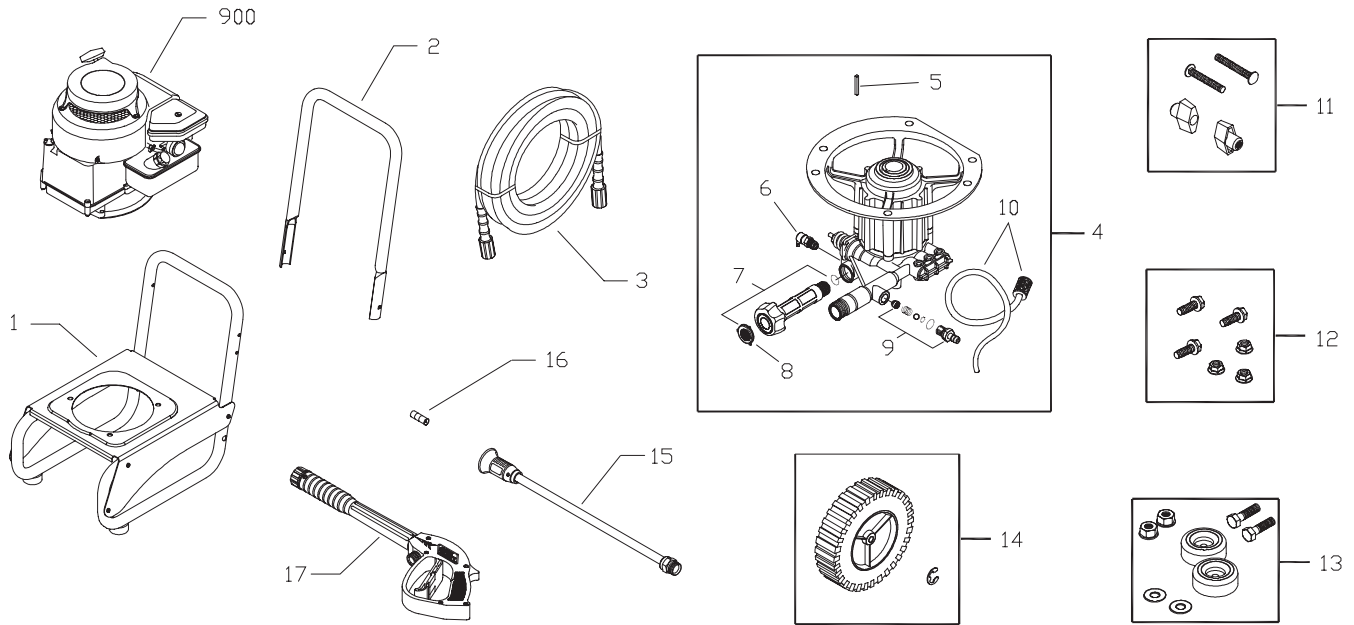
Call: **Pressure Washer Helpline**

**1-800-743-4115 M-F 8-5 CT**

**BRIGGS & STRATTON POWER PRODUCTS GROUP, LLC**  
**JEFFERSON, WISCONSIN, U.S.A.**

Manual No. 204960A Revision A (11/07/2007)

# Exploded View and Parts list — Main Unit



Item	Part #	Description
1	201625GS	BASE, w/Mounts
2	B195960GS	HANDLE
3	196006GS	HOSE
4	200200GS	ASSY, Pump
5	23139GS	Key
6	194298GS	Valve, Thermal Relief
7	200278GS	Kit, Water Inlet
8	B2384GS	Filter, Inlet
9	200279GS	Kit, Chemical Injection
10	189971GS	Kit, Chemical Hose
11	B2203GS	KIT, Fastening Handle
12	192525GS	KIT, Pump/Engine Mounting Hardware
13	198766GS	KIT, Vibration Mount
14	201643GS	KIT, Wheel
	192050GS	E-Ring
15	198974GS	WAND

Item	Part #	Description
16	B1236CGS	ORFICE
17	193482GS	GUN
900	§	ENGINE

### Items Not Illustrated:

204960GS	MANUAL, Operator's
BB3061BGS	OIL BOTTLE
87815GS	GOGGLES
794693	LABEL, Warning
204939GS	DECAL, Unit
204938GS	DECAL, Recoil
201550GS	AXLE

### Optional Accessories

6048	KIT, O-Ring Maintenance
6039	PUMP SAVER

§ - Contact Engine Manufacturer

Copyright © 2007 Briggs & Stratton Power Products Group, LLC. All rights reserved. No part of this material may be reproduced or transmitted in any form by any means without the express written permission of Briggs & Stratton Power Products Group, LLC.

BRUTE™ is a trademark of Briggs & Stratton Power Products.